



MODEL S1000

A Quantum Leap in Filtration and Product Recovery

The **Model S1000** is an automatic self-cleaning filter designed to remove Ultra High and Variable Total Suspended Solids (TSS) from a fluid stream.

Each filter unit contains a motor driven, spiral shaped brush that continuously cleans collected debris from inside the filter element. Solids collect at the end of the filter housing to be expelled through an automatic purge valve or a continuous concentrate stream.



Industry Applications

- Food and Beverage
- Industrial Process and Wastewater
- Oilfield Water
- Mining
- Pulp and Paper
- Power Generation and Hydro Power
- Pretreatment for MF / UF / RO

Key Features and Benefits

- High & Variable Solids - up to 25,000 mg/l
- For High Flow, High Temp/Pressure Fluids
- Continuously Cleaned Filter Screens
- 10 - 100 Micron Filtration
- 99%+ Water Recovery
- Minimal Pressure Requirements
- Small Footprint
- Easy Maintenance
- No Backwash, No Crossflow
- Solids Concentration and Product Recovery



Automatic Fine Filtration and Product Recovery

Filter Operation

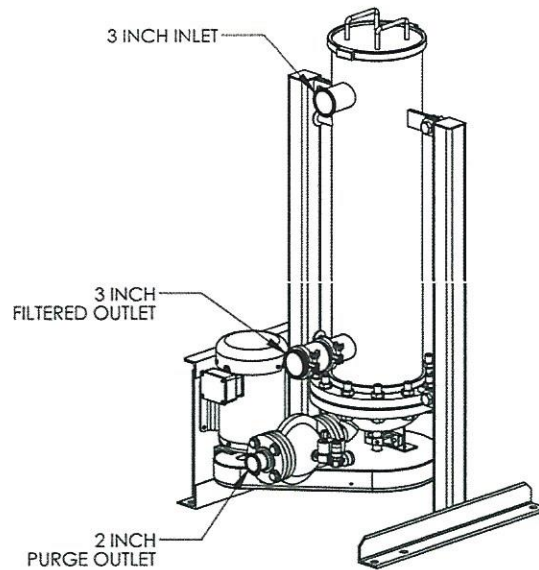
The system does not require high pressures to operate and performs with low head loss. No backwash, cross flow or booster pumps required.



Spiral Water™
Technologies, Inc.

Model FS1000 Filter Unit Specifications

Inlet:	3" Flange ANSI or Sanitary
Filtered Outlet:	3" Flange ANSI or Sanitary
Purge Outlet:	2" Flange ANSI or Sanitary
Max Flow:	1360 m ³ /day (250 gpm)
Filtration Rating:	10 - 100 micron
Max TSS:	25,000 ppm
Max Operating Press:	10.3 bar (150 psi) @70F
Min Operating Press:	0.35 bar (5 psi)
Max Temp:	105° C (220° F)
Head Loss:	<0.1 bar (<1 psi)
Drive Motor:	3 hp, 3-Ph, 230/460 VAC
Purge Valve:	Pneumatic Pinch Valve
Certifications:	FDA & ASME U-Stamp Available

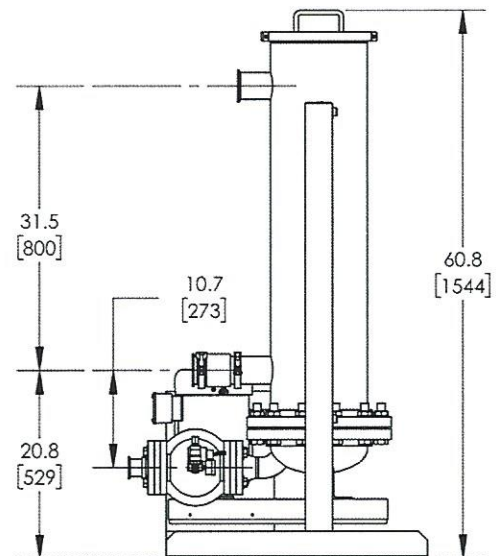


Materials of Construction

Wetted Housing:	316 SS
Seals:	EPDM or Viton
Cleaning Brush:	Nylon 6.12, 316 SS, UHWM-PE
Filter Elements:	316L SS

Options

- Automated Purge Valve
- Differential Pressure Switch
- Programmable Control System
- Multi-Filter Manifolds
- Sanitary Interface



©2017 Spiral Water Technologies, Inc. All Rights Reserved. All trademarks and registered trademarks are the property of their respective owners. This brochure is for informational purposes and Spiral Water assumes no liability or obligation for the information in this document. It is not to be construed as absolutely complete and it is the user's responsibility to determine the suitability for its own use of such products.

For more information, email us at **CONTROL FACTORS**

19501 144th Ave NE #A400
Woodinville, WA 98072
PH:425.483.5613
sales@controlfactors.com