

MODEL 800

A Quantum Leap in Filtration and Product Recovery

The **Spiral Water Automatic Filter**, with its revolutionary cleaning assembly, provides a low maintenance, self-cleaning filter designed to handle Ultra High and Variable Total Suspended Solids (TSS).

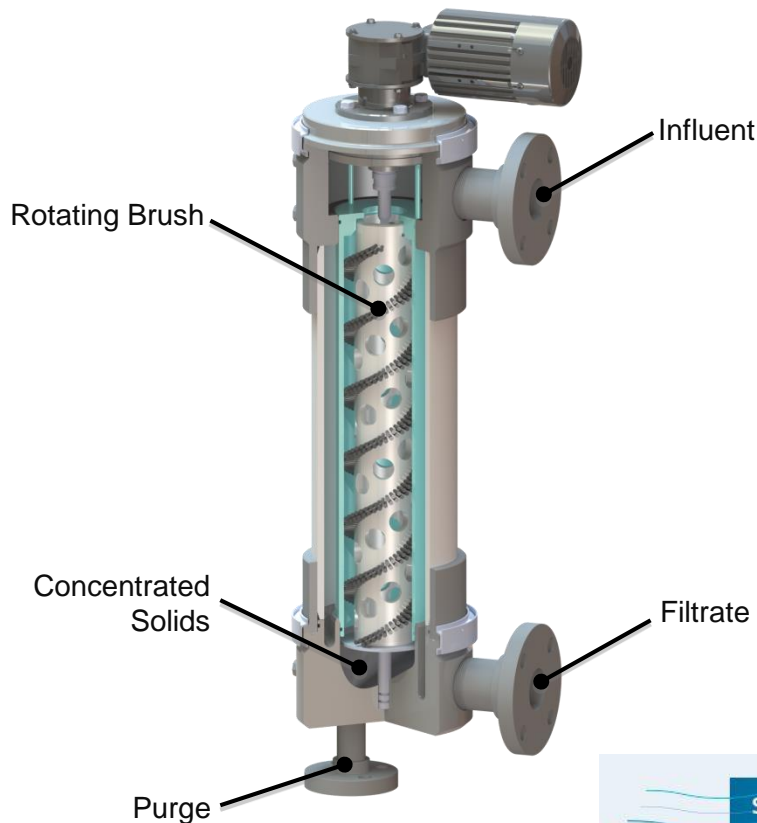
With its patented design and operation, the Spiral Water Automatic Filter provides 10 to 100 micron filtration. This technology offers Industrial, Municipal and Marine customers a unique filtration solution for their primary, pre-filtration or post-filtration applications.

Industry Applications

- Industrial Process and Wastewater
- Food and Beverage
- Oilfield Water
- Marine and Ballast
- Mining
- Pulp and Paper
- Power Generation and Hydro Power
- Pretreatment for MF / UF / RO

Key Features and Benefits

- High & Variable Solids - up to 25,000 mg/l
- Continuously Cleaned Filter Screens
- 10-100 Micron Filtration
- 99%+ Water Recovery
- Minimal Pressure Requirements
- Small Footprint
- Easy Maintenance
- Light Weight
- Modular for Larger Flow Rates
- No Backwash, No Crossflow
- Solids Concentration & Product Recovery



Automatic Fine Filtration and Product Recovery

Filter Operation

Each filter contains a motor driven spiral shaped brush that continuously cleans collected debris from inside the filter element. Solids collected at the end of the filter housing may be expelled through an automatic purge valve. The system does not require high pressures to operate and performs at very low differential pressure. No backwash, cross flow or booster pumps required.

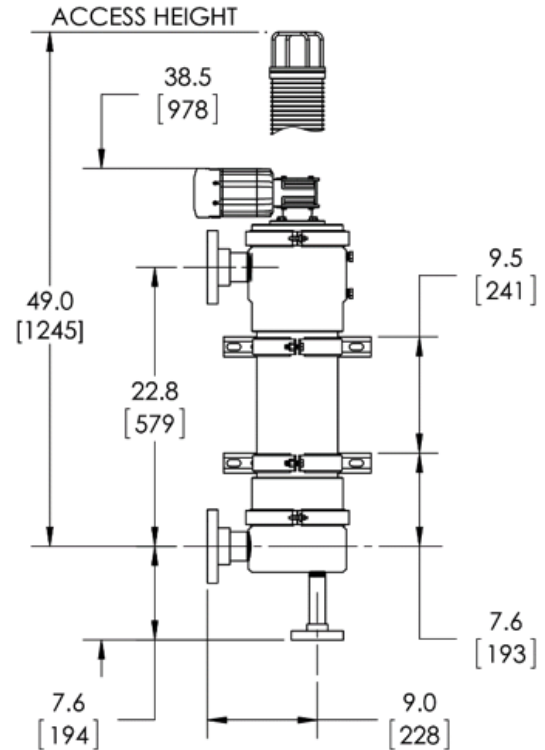


Model 810 Filter Unit Specifications

Inlet: 2" F-NPT or #150 Flange
 Filtrate Outlet: 2" F-NPT or #150 Flange
 Purge Outlet: 1" F-NPT or #150 Flange
 Max Flow: 10 – 100 gpm
 Filtration Rating: 10 – 100 micron
 Max TSS: 25,000 ppm
 Max Operating Press: 10.3 bar (150 psi) @70° F
 Min Operating Press: <0.1 bar (<1 psi)
 Head Loss: <0.1 bar (<1 psi)
 Drive Motor: (3/8 hp) 230/460V 3-Ph

Materials of Construction

Wetted Housing: PVC
 Seals: EPDM or Viton
 Cleaning Brush: Acetal, Nylon 6.12, 316 SS
 Filter Elements: 316L SS



Options

- Drive Motor VFD
- Automated Drain Valve
- Differential Pressure Transmitter
- Programmable Control System
- Multi-Filter Manifolds
- Pump Skid Systems



©2014 Spiral Water Technologies, Inc. All Rights Reserved. All trademarks and registered trademarks are the property of their respective owners. This brochure is for informational purposes and Spiral Water assumes no liability or obligation for the information in this document. It is not to be construed as absolutely complete and it is the user's responsibility to determine the suitability for its own use of such products.



19501 144th Ave NE #A400
 Woodinville, WA 98072
 PH:425.483.5613
 rgilbert@controlfactors.com